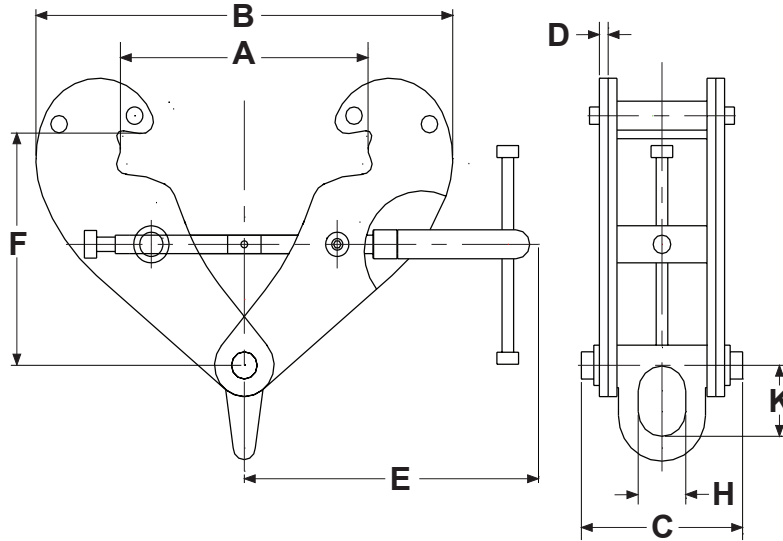


# BEAM CLAMP WITH ROUND EYE

## DATA SHEET



MODEL NUMBERS		BC100RE	BC200RE	BC300RE	BC500RE	BC1000RE	
CAPACITY (POUNDS)		2,200	4,400	6,600	11,000	22,000	
TEST LOAD (POUNDS)		3,300	6,600	9,900	16,500	33,000	
I-BEAM WIDTH RANGE (POUNDS)		3.1-9.7	3.1-9.7	3.5-13.0	3.5-13.4	3.5-13.4	
NET WEIGHT (POUNDS)		9	11	22	26	37	
DIMENSIONS (INCHES)	A	10.6	10.6	14.0	14.0	14.3	
	B	MIN.	7.2	7.2	9.6	9.6	10.6
		MAX.	14.6	14.6	19.7	19.7	20.5
	C	3.7	4.0	5.2	5.6	7.1	
	D	0.2	0.2	0.3	0.4	0.5	
	E	8.6	8.6	10.9	10.9	11.9	
	F	MIN.	3.9	3.9	5.8	5.8	6.5
		MAX.	6.1	6.1	8.6	8.6	9.4
	H	1.1	1.1	1.7	1.7	2.4	
	K	1.7	1.7	2.4	2.4	3.6	